

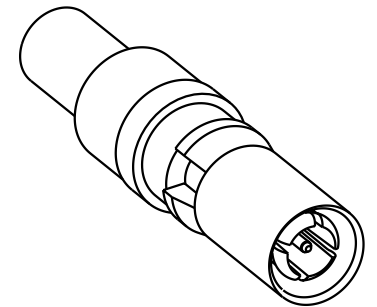
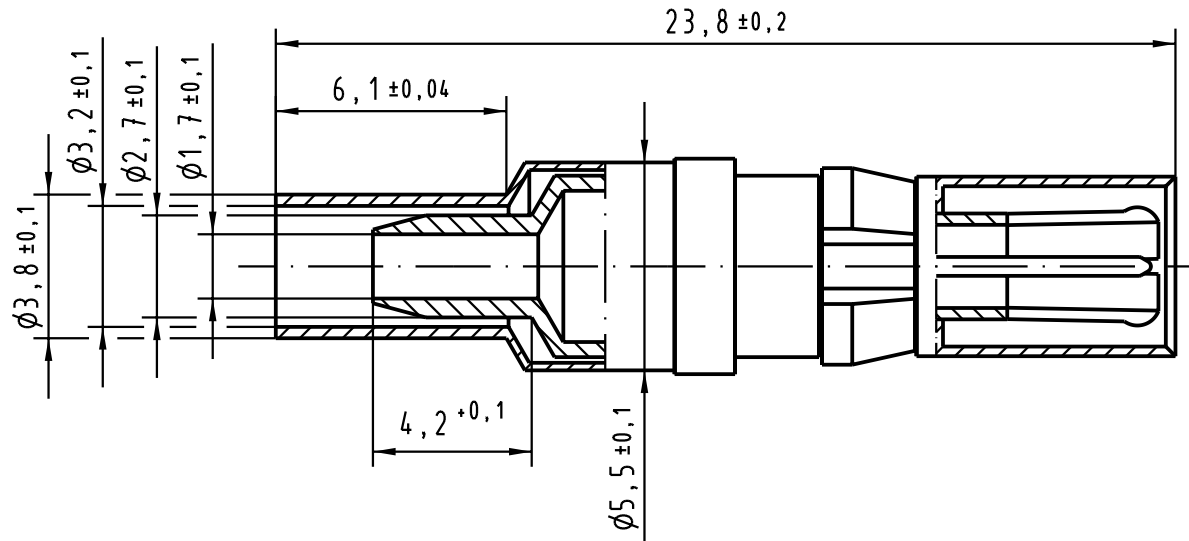


Product details

09 03 000 6160 Coaxial contacts for type M

Description Coaxial contacts, type M
Male contacts
Contacts for female connectors
Impedance 50 Ohm
Standard contacts
Straight crimp / solder terminations
Performance level 2 as per IEC 60603-2

RoHS compliant Yes



	All Dimensions in mm Original Size DIN A 4		Techn. Character. DIN 41626 Teil 2			Nicht tolerierte Maß/Free size tolerances siehe / see IEC 60603-2	
				Dat.	Name	Maßstab/Scale 5 : 1	Koaxialkontaktstift 50Ω gerade Löt/crimp für Federleiste Typ M <i>male coax contact 50Ω straight solder/crimp for female connector type M</i>
			Detail.	10.07.02	Rie.		
			Insp.	10.07.02	kfoe		
		Stand.					
30080			HARTING Electronics GmbH & Co. KG D-32339 ESPELKAMP				TB 09 03 000 6160 Sub. TB 09 03 000 6160 Mod. 14667 v. 21.04.93
Mod.	Dat.	Name					